

PRESSURE SWITCHES

INTRODUCTION

FITZER WEATHERPROOF & FLAMEPROOF pressure switches are designed to provide unique engineering features and quality construction assuring long trouble free service, Rugged construction design offers excellent durability even in the most several services. A rugged diaphragm sealed piston actuator provides set point repeatability of +/- 1%. A wide variety of SPDT snap action switches are available to meet many electrical load requirements.

SAILENT FEATURES

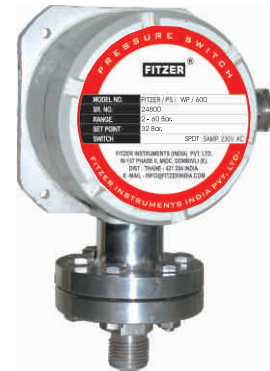
- Sensitive set point accuracy +/- 1% of the set pressure during operation.
- Simple mechanish and thus maintainance free.
- Long term reliability.
- Very few moving parts.
- Single directional operation.
- Fixed adjustable differential.
- Resistance to short duration over pressure.
- Extremely compact and rugged.
- Low, high and vaccum pressure application.
- With flameproof, weatherprof enclosers.
- Remote or direct diaphragm seal.

APPLICATION

- Pumps.
- Compressors.
- Heat Exchangers.
- Boilers.
- Marine Equipments.
- Hydraulic systems.
- Lub system etc.
- Chemical & Fertilizer industries.
- Pharmaceuticals & Petrochemicals industries.
- Iron and Steel industries.
- Pulp and Paper industries,
- Food, waste water treatment etc.



FITZER / PS / WP 400
WEATHERPROOF PRESSURE SWITCH
BLIND TYPE RANGE UP TO 40 KG / Cm²



FITZER / PS / WP 600
WEATHERPROOF PRESSURE SWITCH
BLIND TYPE RANGE UP TO 160 KG / Cm²



FITZER / PS / FLP 800
FLAMEPROOF PRESSURE SWITCH
BLIND OR INTERNAL RANGE
SCALE TYPE UP TO 160 KG / Cm²

FITZER / WP / 300



FITZER / FS / 200

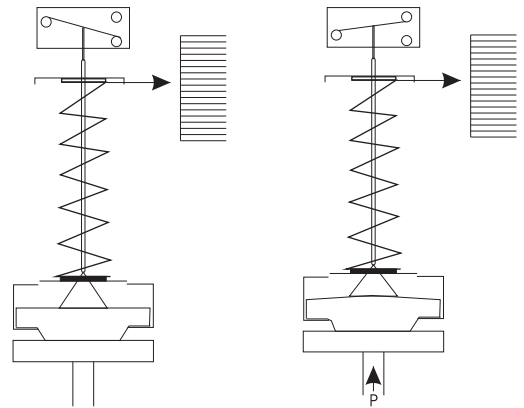


LOW COST MINIATURE PRESSURE SWITCHES

Series	Standard Ranges Kg/cm ² (bar)		
PS-WP-400 PS-WP-300	0.1 - 1.0	0.2 - 4.0	1.0 - 25.0
	0.1 - 1.5	0.2 - 5.0	1.0 - 40.0
	0.1 - 2.0	0.5 - 10.0	-1 - 0 (VAC)
PS-WP-600 PS-FLP-800	0.1 - 3.0	0.8 - 15.0	1.0 - 25.0
	0.1 - 1.0	0.2 - 4.0	1.0 - 40.0
	0.1 - 1.5	0.2 - 5.0	2.0 - 60.0
PS-FLP-800	0.1 - 2.0	0.5 - 10.0	10 - 100
	0.1 - 3.0	0.8 - 15.0	15 - 160
Standard ranges mm WG with large diaphragm device			
PS-WP-600 PS-FLP-800	50 - 500	100 - 1500	200 - 6000
	50 - 750	200 - 2000	
	100 - 1000	200 - 4000	
Low cost miniature pressure switch			
FS-200	Range in between 1-15 kg cm ² adjustable.		
Note : For ranges other than above please contact our factory			

OPERATING PRINCIPLE :

A flexible diaphragm actuates a microswitch by means of a piston. The set point is adjusted by means of a compressible spring installed in opposition.



GENERAL SPECIFICATION

HOUSING FINISHING	Die - cast Aluminium Weatherproof / Flameproof.
MOC	Stoving Epoxy / Powder Coated.
SENSING ELEMENT	S.S. 304 / 316 / 316L.(other material available on request).
SWITCH	Formed Diaphragm S.S. 316/Neoprene/ Buna - N.
SWITCH RATING	SPDT Micro snap action.
CABLE ENTRY	5 Amp, 15 Amp 230 V AC / 0.5 Amp, 110 V DC.
MOUNTING	1/2" NPT, 3/4 ET
PROCESS CONNECTION	Direct field mounting / Remote diaphragm instalation.
ADJUSTMENT	1/4" / 1/2 NPT (F) / (M), Flange type, Triclover type.
DIFFERENT	Temper proof internal with lock nut.
ACCURACY	Fixed > 1% < 5%.
REPEATABILITY	+/- 0.5% FSR / 1% FSR.
OVER RANGE	0.5% FSR.
TEMPERATURE	Full vaccum To +140% (Higher protection on request.)
ACCESSORIES	-40 To 170 Deg C.
	With switch protector, Pulsation dampener, Siphon etc.

ACCESSORIES

1. Diaphragm Sealed

Diverse is recommended where fluid is highly corrosive contaminated, viscous or liable to crystallize inside measuring system.

2. Large Diaphragm

large diaphragm pressure switches are suitable for low pressure measurement of non - corrosive and liquids.

3. Triclover connection

To easy and quick removing pressure switch for bio-pharma food grade application.

4. Syphon`s

This are intended to protect the pressure switch from the effect of pressure that exceed the maximum pressure rating of the pressure switch.

5. Switch protector

This are intended to protect the pressure switch against the effect of pressure that exceed the maximum pressure rating of the pressure switch.

MORE : DETAIL CATALOGUE ON REQUEST OF

Blind Low Cost Compact Pressure Switches	(series PS 200)
External Range adjustable Pressure Switches	(series PS WP 300)
External Range adjustable D.P. Switches	(series PS WP 500)

WE PROVIDE OPERATING INSRTRUCTION MANUAL WITH EACH INSTRUMENT.

MORE DETAILS ON REQUEST

FITZER
INSTRUMENTS
COMPANY [INDIA]

® **Regd. Correspondence Address :**
Atali, Near Ambivali Stn. (W), P.O. Mohone, Tal.Kalyan, Dist.Thane-421 102
Tel.: +91-251-2270 788 / 2270 008 / 2270 488 / 2270 388, **Mobile :** 8828084884,
TeleFax : +91-251-2271 336 **Website :** www.fitzerindia.com
Email : fitzer@vsnl.com, / fitzergujarat@rediffmail.com,